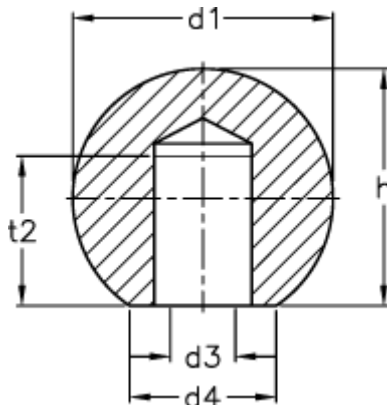


Article number: 20131203

Description: E+G Ball knob DIN 319-ST-40-B16-K

## Measures

---



d1	= 40
d3 H7	= B16
d4	= 22
h	= 37.0
t2 min.	= 22